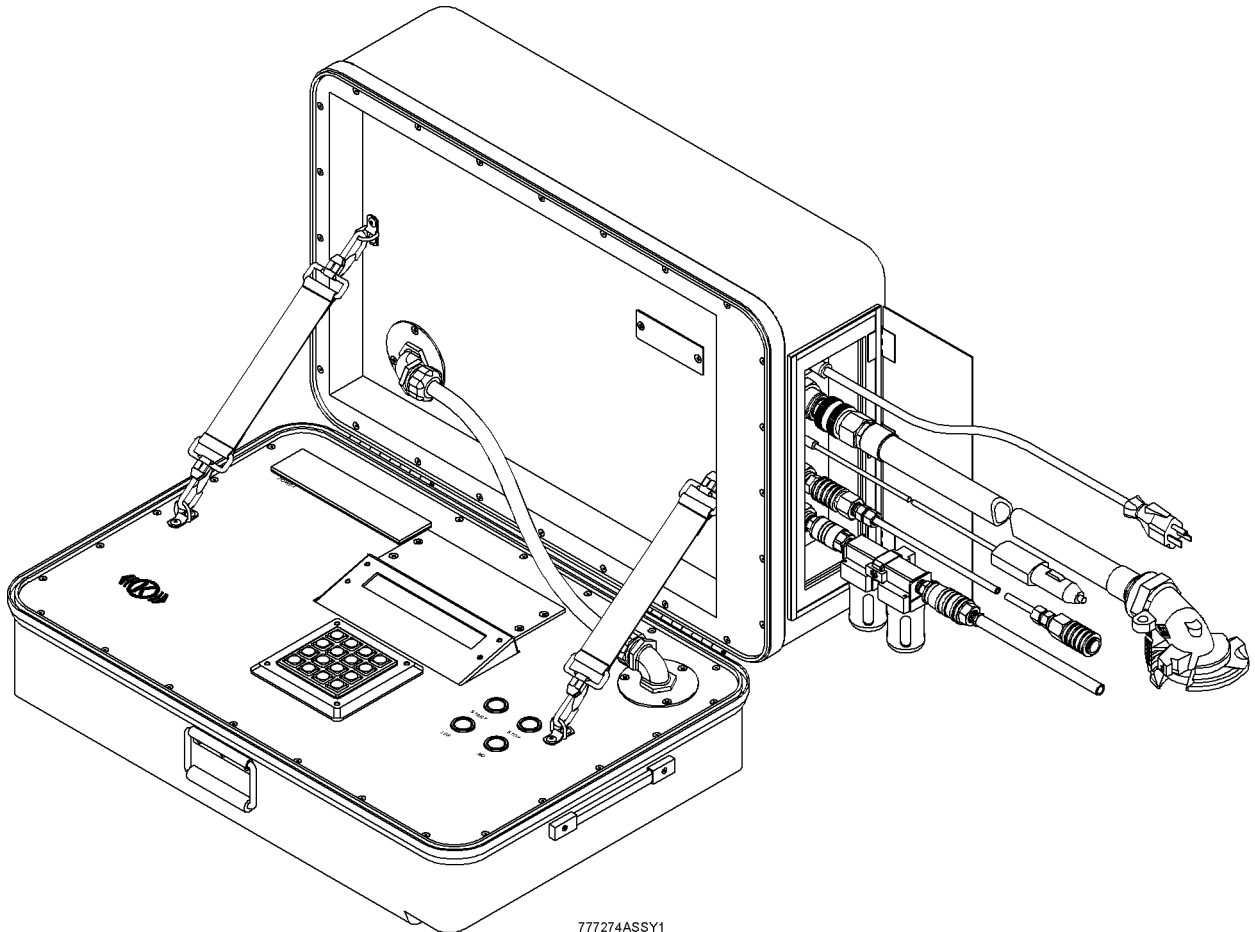




**COMPUTERIZED SINGLE CAR
TEST DEVICE**

PARTS CATALOG





COMPUTERIZED SINGLE CAR TEST DEVICE

THIS PAGE LEFT BLANK INTENTIONALLY



COMPUTERIZED SINGLE CAR TEST DEVICE

CAUTION

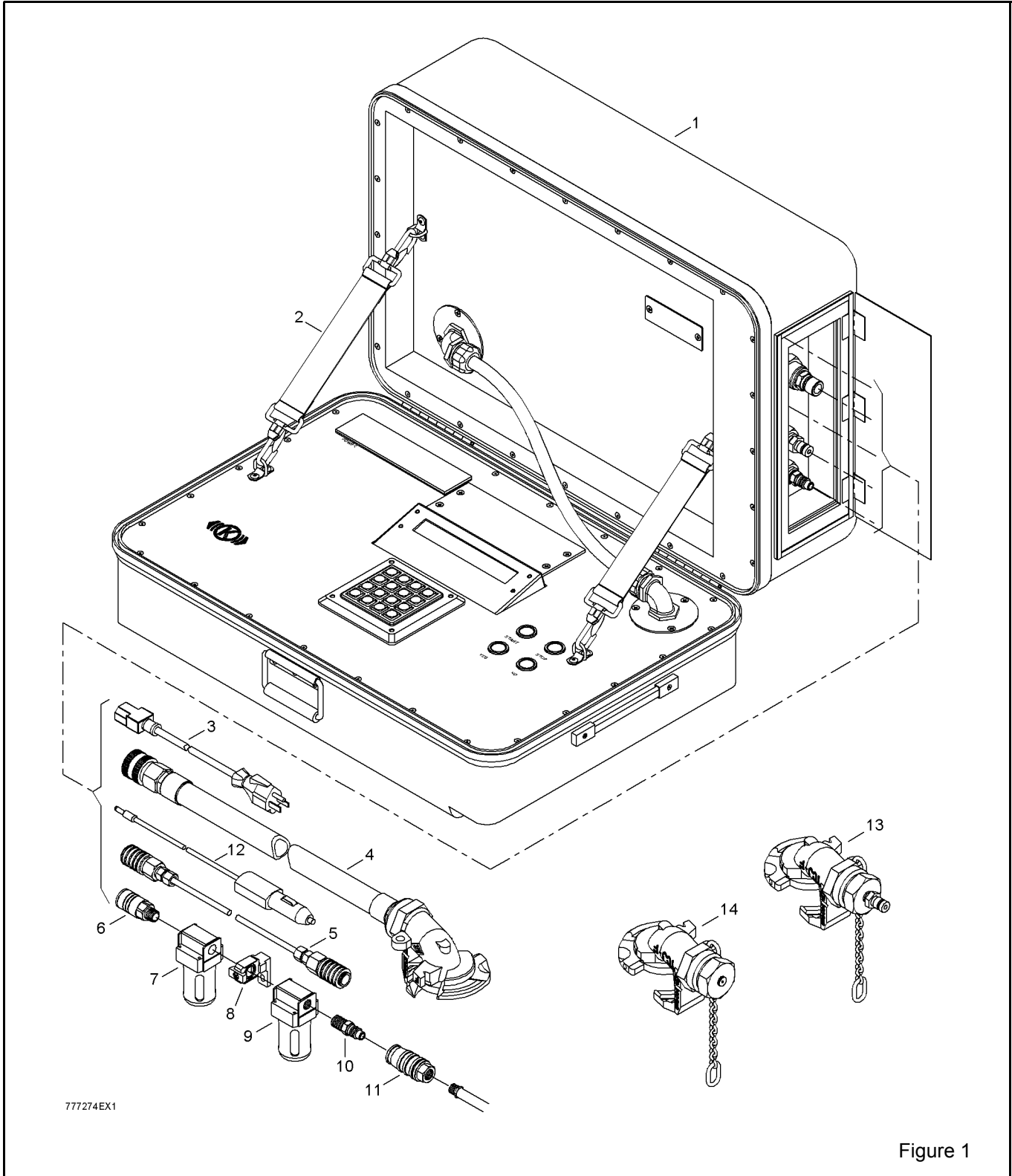
THE PURPOSE OF THIS CATALOG IS TO IDENTIFY THE DETAIL PARTS THAT MAKE UP THIS WHOLE ASSEMBLY. THERE ARE NO USER SERVICABLE PARTS IN THIS ASSEMBLY. REPAIR IS ACCOMPLISHED BY PART REPLACEMENT.

CAUTION

WHEN REPAIRING THIS ASSEMBLY, USE ONLY NYAB SUPPLIED PARTS. USE OF COMMERCIALY AVAILABLE PARTS MAY RESULT IN UNSATISFACTORY PERFORMANCE OF THIS ASSEMBLY AND THE BRAKE SYSTEM IT BECOMES A PART OF.



COMPUTERIZED SINGLE CAR TEST DEVICE





COMPUTERIZED SINGLE CAR TEST DEVICE

FIG. & INDEX	REPL. PLAN	PART NO.	REF. NO.	NO. REQ'D.	DESCRIPTION
1-		777274	777274		COMPUTERIZED SINGLE CAR TEST DEVICE (Includes items 1 through 15)
1		779322	779322	1	. SUITCASE ASSEMBLY, CSCTD
2	C	778509	778509	2	. STRAP ASSEMBLY
3	C	778602	778602	1	. POWER CORD, 110 VAC
4	C	778616	778616	1	. BP HOSE ASSEMBLY 8'
5	C	778617	778617	1	. BC HOSE ASSEMBLY 100'
6	C	778544	778544	1	. COUPLING, Quick Connect 1/4"-18 NPT
7	C	778548	778548	1	. AIR FILTER
8	C	778546	778546	1	. MOUNTING BRACKET
9	C	778547	778547	1	. MIST SEPARATOR
10	C	778540	778540	1	. NIPPLE, Quick Disconnect 1/4"-18 NPT
11	C	778545	778545	1	. FITTING, E-Z Mate 1/4"-18 NPT
12	C	779021	779021	1	. POWER CORD
13	C	779045	779045	1	. COUPLING, Blank Test
14	C	769099	769099	1	. COUPLING, FS-3 Choked Test
*15	C	778142	778142	1	. BATTERY
*16	C	779472	779472	1	. SOFTWARE, CSCTD
*17		779909	779909	1	. OPERATORS MANUAL, IP-176
*18		779910	779910	1	. CSCTD QUICK START GUIDE, IP-180

Replacement Plan:

- A = 100% Replacement at every scheduled overhaul.
- B = Replacement dependent upon condition of part.
- C = Replace if damaged during repair, maintenance or overhaul.

*Not shown in illustration.



COMPUTERIZED SINGLE CAR TEST DEVICE

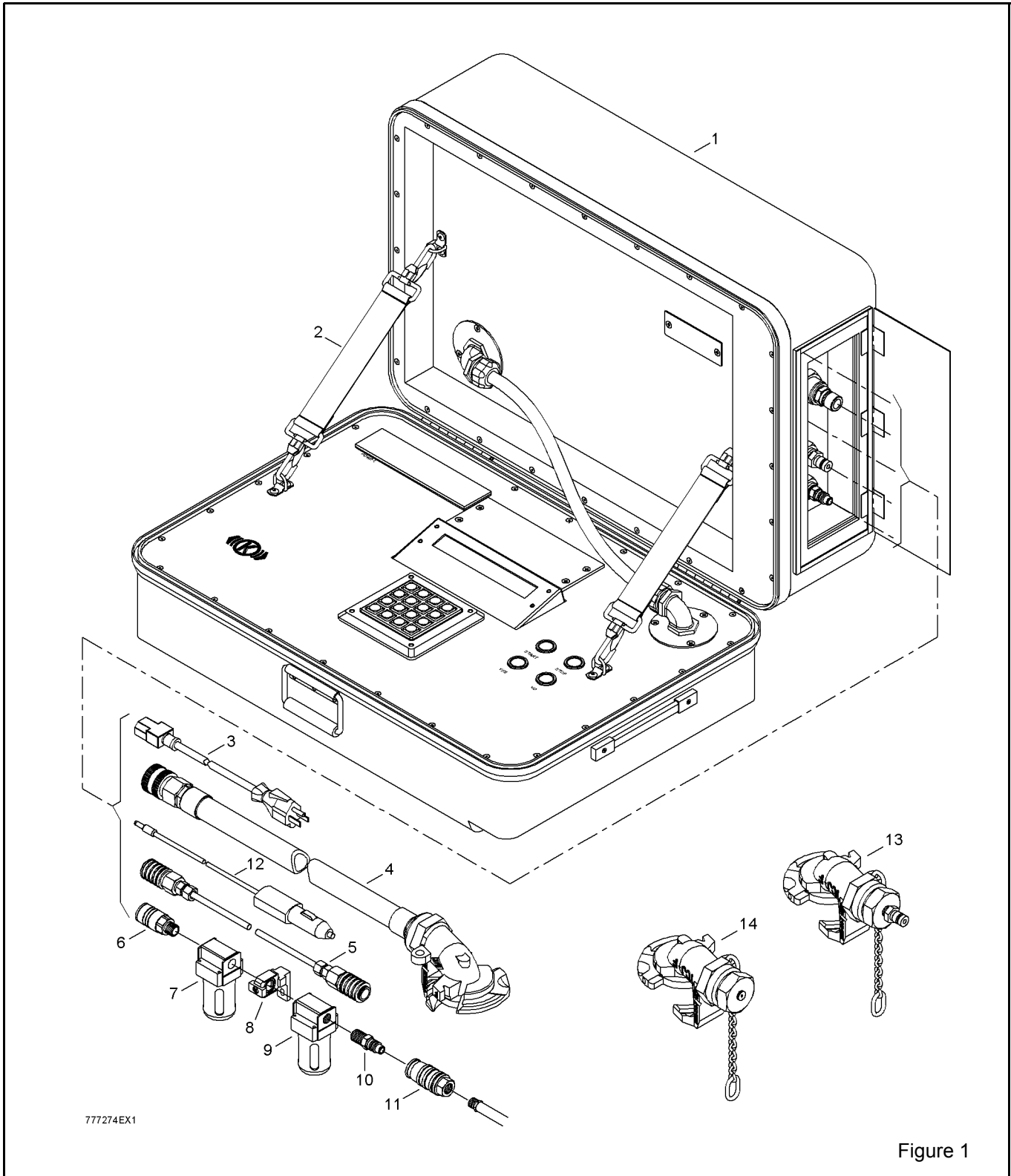


Figure 1



COMPUTERIZED SINGLE CAR TEST DEVICE

FIG. & INDEX	REPL. PLAN	PART NO.	REF. NO.	NO. REQ'D.	DESCRIPTION
OPTIONS*					
*The following items are not included with the Computerized Single Car Test Device but are available upon request.					
		778143	778143		BATTERY CHARGER
		778607	778607		FILTER REPLACEMENT ELEMENT
		778619	778619		MIST SEPARATOR REPLACEMENT ELEMENT

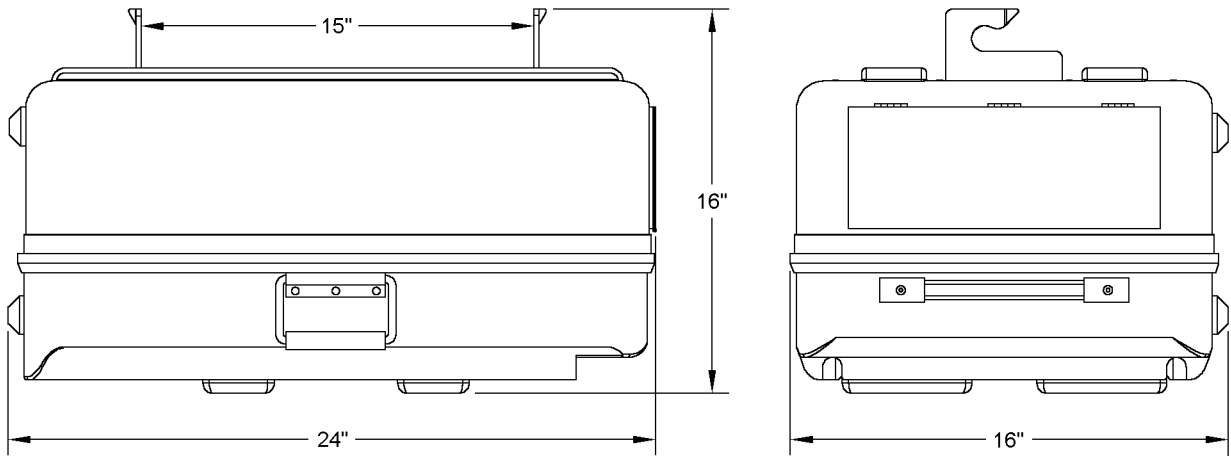
Replacement Plan:

- A = 100% Replacement at every scheduled overhaul.
- B = Replacement dependent upon condition of part.
- C = Replace if damaged during repair, maintenance or overhaul.



COMPUTERIZED SINGLE CAR TEST DEVICE - Installation Data -

APPROXIMATE
NET WEIGHT
78 Lbs.



777274INST3

