



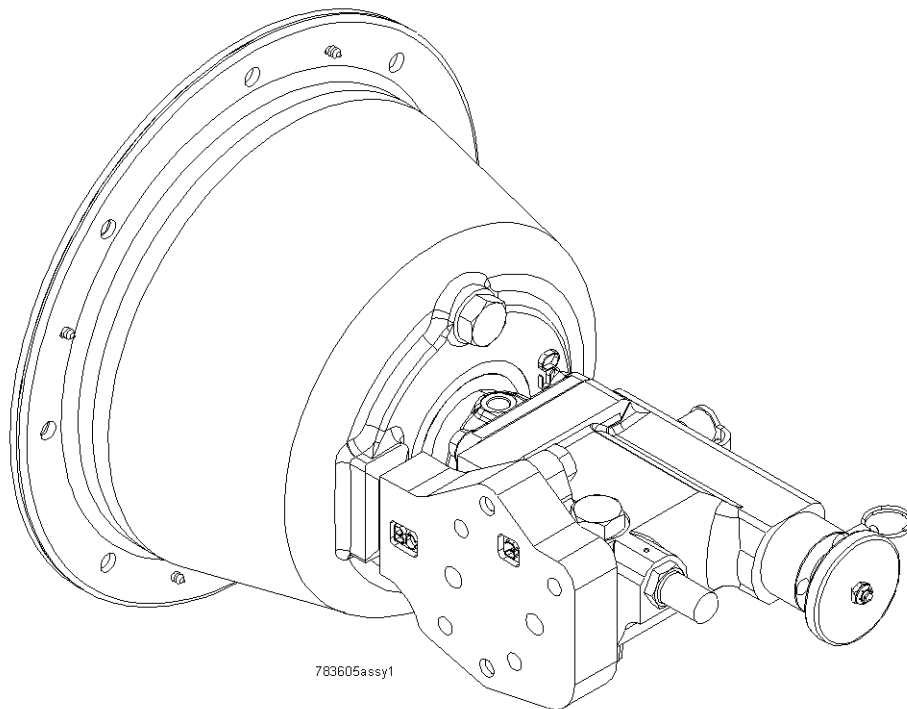
# NEW YORK AIR BRAKE

748 Starbuck Avenue, Watertown, NY 13601  
Phone +1-315-786-5200 Engineering Fax +1-315-786-5673

PC-783605  
PC-783607

## NYAB SLOPE SHEET MOUNTED EMPTY/LOAD VALVE ASSEMBLY - 40% Assembly -

## PARTS CATALOG



PC-783605 Conventional  
PC-783607 FDA Approved



**NYAB SLOPE SHEET MOUNTED EMPTY/LOAD VALVE ASSEMBLY  
- 40% Assembly -**

THIS PAGE LEFT BLANK INTENTIONALLY



**NYAB SLOPE SHEET MOUNTED EMPTY/LOAD VALVE ASSEMBLY  
- 40% Assembly -**

**WARNING**

**AFTER REPLACEMENT OF ANY PART IN THIS DEVICE, THE OPERATION OF THE DEVICE MUST PASS TESTS PRESCRIBED IN THE LATEST ISSUE OF THE APPLICABLE NYAB TEST SPECIFICATION. WHEN THIS DEVICE IS APPLIED TO THE BRAKE EQUIPMENT ARRANGEMENT, A STATIONARY VEHICLE TEST MUST BE MADE TO ENSURE THAT THIS DEVICE FUNCTIONS PROPERLY IN THE TOTAL BRAKE EQUIPMENT ARRANGEMENT. (CONSULT YOUR LOCAL NEW YORK AIR BRAKE CORPORATION REPRESENTATIVE TO IDENTIFY THE TEST SPECIFICATIONS, WITH LATEST REVISION DATE, THAT COVERS THIS DEVICE.)**

**CAUTION**

**THIS CATALOG IS PUBLISHED AS AN AID TO IDENTIFY THE DETAIL PARTS THAT MAKE UP THIS COMPLETE DEVICE. REFER TO APPLICABLE MAINTENANCE PUBLICATIONS BEFORE ATTEMPTING EITHER THE DISASSEMBLY OR THE ASSEMBLY OF THIS DEVICE.**

**IMPORTANT**

**Only NYAB supplied parts are to be used in the repair of this device in order to obtain satisfactory operation. Commercially available parts are unacceptable.**



## NYAB SLOPE SHEET MOUNTED EMPTY/LOAD VALVE ASSEMBLY - 40% Assembly -

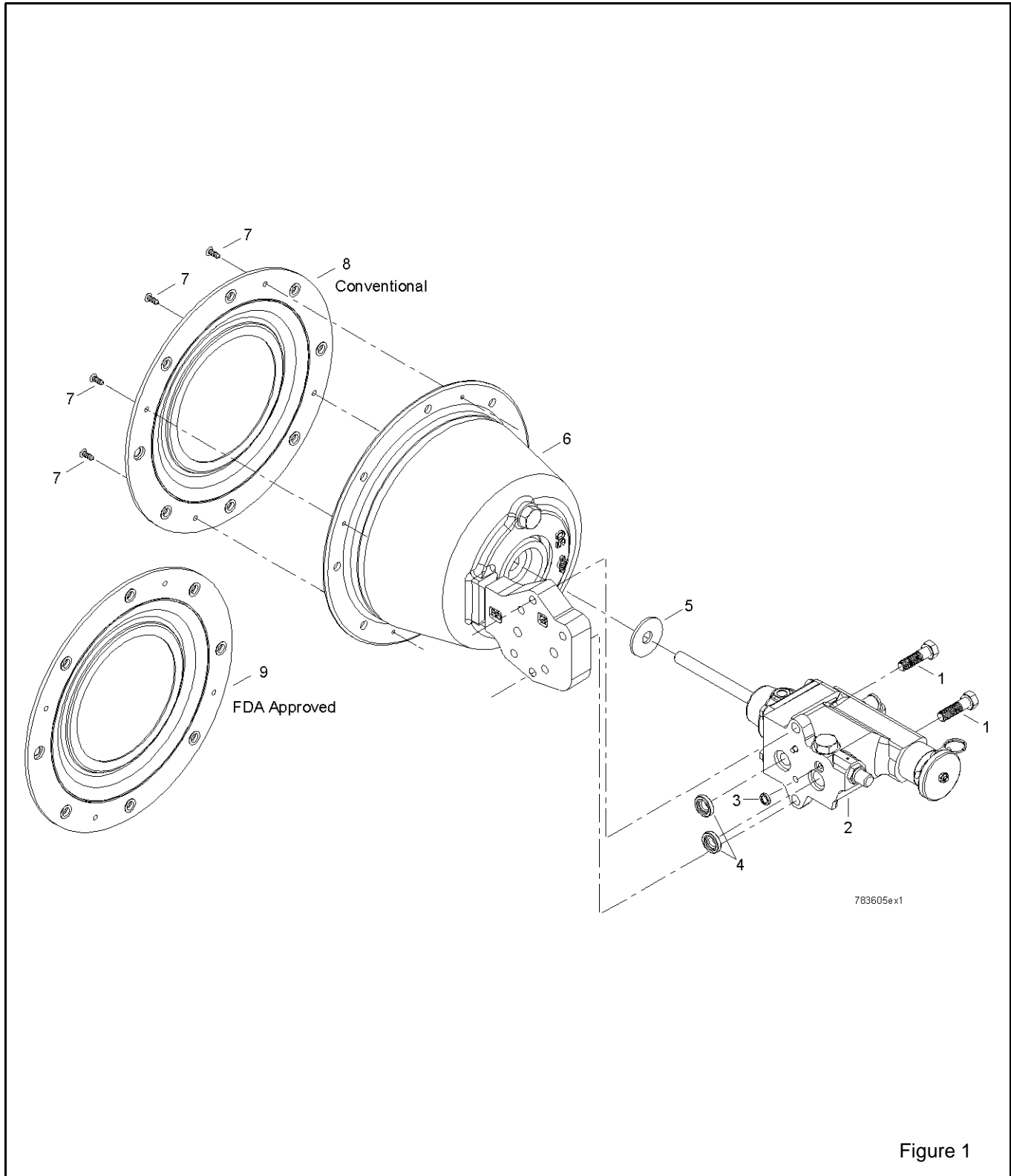


Figure 1



## NYAB SLOPE SHEET MOUNTED EMPTY/LOAD VALVE ASSEMBLY - 40% Assembly -

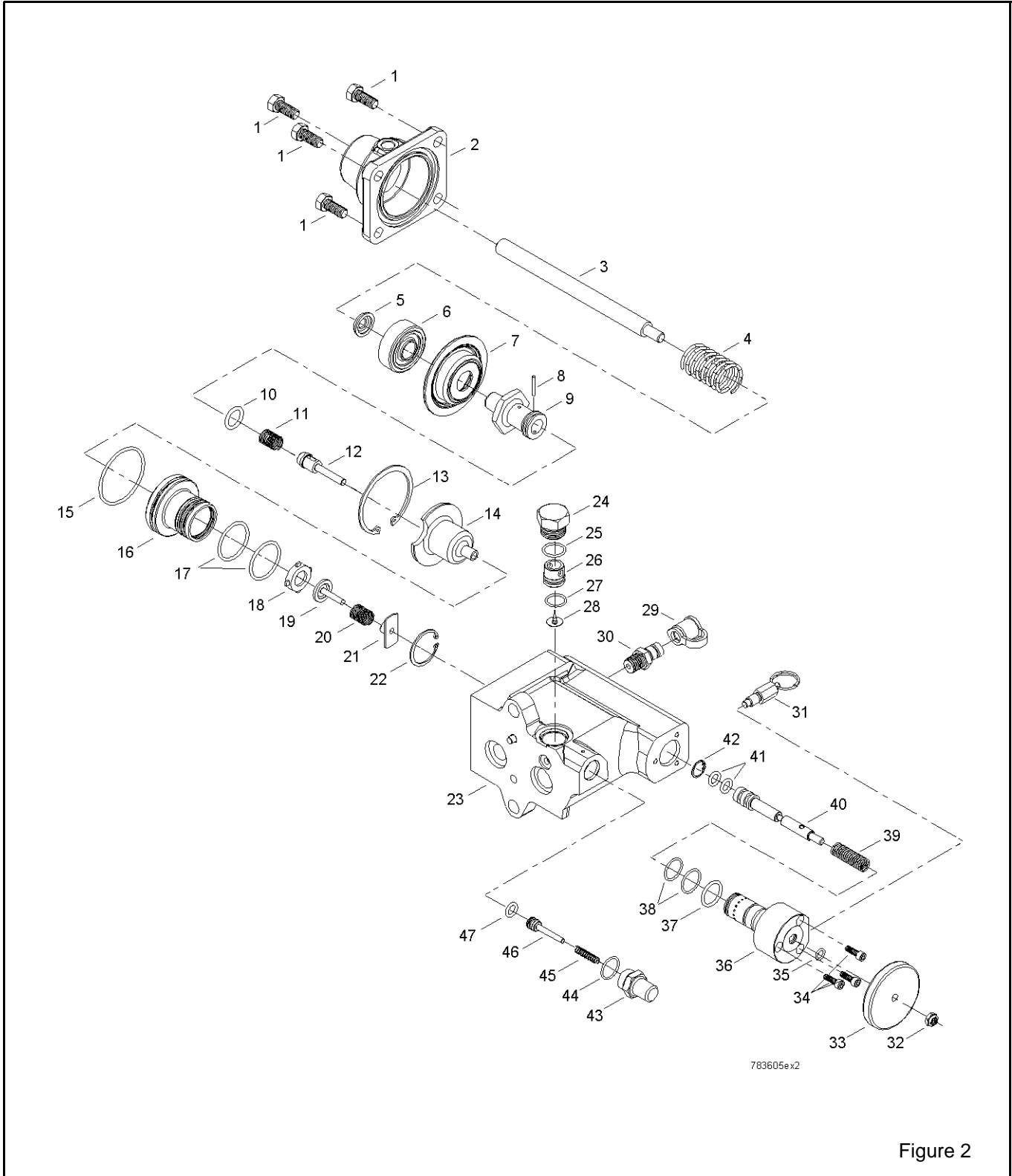
FIG. & INDEX	REPL. PLAN	PART NO.	REF. NO.	NO. REQ'D.	DESCRIPTION
1-		783605	783605		NYAB SLOPE SHEET MOUNTED EMPTY/LOAD VALVE ASSEMBLY, 40% (For conventional use) (Includes items 1 thru 7 and item 8, Diaphragm P/N 783620)
		783607	783607		NYAB SLOPE SHEET MOUNTED EMPTY/LOAD VALVE ASSEMBLY, FDA, 40% (FDA approved) (Includes items 1 thru 7 and item 9, Diaphragm P/N 783621)
1	C	750231	MC-638	2	. BOLT, Hex Head Steel, Pltd. 1/2-13 UNC-2A x 1-3/4" long
2	C	783798	783798	1	. SLOPE SHEET VALVE PORTION, 40% (See Figure 2)
3	A	772401	772401	1	. SCREENED GASKET Elastomer/60-80 Stainless Steel Mesh 9/16" od 0.130" t
4	A	781215	781215	2	. SCREENED GASKET Elastomer/60-80 Stainless Steel Mesh 1-5/64" od x 0.225" t
5	A	783762	783762	1	. GASKET
6	C	783615	783615	1	. RESERVOIR ASSEMBLY, 365 Cu. In.
7	A	783763	783763	4	. RIVET, Push-In
8	A	783620	783620	1	. DIAPHRAGM (For conventional use) (Used with Slope Sheet Valve Assembly, P/N 783605)
9	A	783621	783621	1	. DIAPHRAGM, FDA (FDA approved) (Used with Slope Sheet Valve Assembly, P/N 783607)

**Replacement Plan:**

- A = 100% Replacement at every scheduled overhaul.
- B = Replacement dependent upon condition of part.
- C = Replace if damaged during repair, maintenance or overhaul.



**NYAB SLOPE SHEET MOUNTED EMPTY/LOAD VALVE ASSEMBLY  
- 40% Assembly -**





## NYAB SLOPE SHEET MOUNTED EMPTY/LOAD VALVE ASSEMBLY - 40% Assembly -

FIG. & INDEX	REPL. PLAN	PART NO.	REF. NO.	NO. REQ'D.	DESCRIPTION
2-		783798	783798		SLOPE SHEET VALVE PORTION, 40%
1	C	747053	TA-2132	4	. SCREW, Hex Head Cap Steel, Pltd. 3/8"-16 UNC-2A x 7/8" long
2	C	784339	784339	1	. COVER ASSEMBLY, Slope Sheet Valve
3	C	783616	783616	1	. PISTON ROD
4	B	752173	LP-16	1	. SPRING Music Wire, Cad. Pltd. 1-5/32" od x 0.106" dia. x 3" high
5	C	772332	772332	1	. WASHER Stainless Steel 29/32" od x 25/64" id x 0.187" t
6	C	772331	772331	1	. PISTON
7	A	755749	CV-1181	1	. DIAPHRAGM
8	B	771693	771693	1	. PIN Steel 3/32" dia. x 13/16" long
9	C	783761	782761	1	. PISTON FOLLOWER
10	A	749475	HN-270	1	. O-RING Buna 1" od x 13/16" id x 0.103" t
11	B	771629	771629	1	. SPRING Stainless Steel 35/64" od x 0.029" dia. x 1-5/16" high
12	C	771224	771224	1	. PUSH ROD
13	B	770824	770824	1	. RETAINING RING Steel 2-5/8" od x 0.078" t

Replacement Plan:

- A = 100% Replacement at every scheduled overhaul.
- B = Replacement dependent upon condition of part.
- C = Replace if damaged during repair, maintenance or overhaul.



**NYAB SLOPE SHEET MOUNTED EMPTY/LOAD VALVE ASSEMBLY  
- 40% Assembly -**

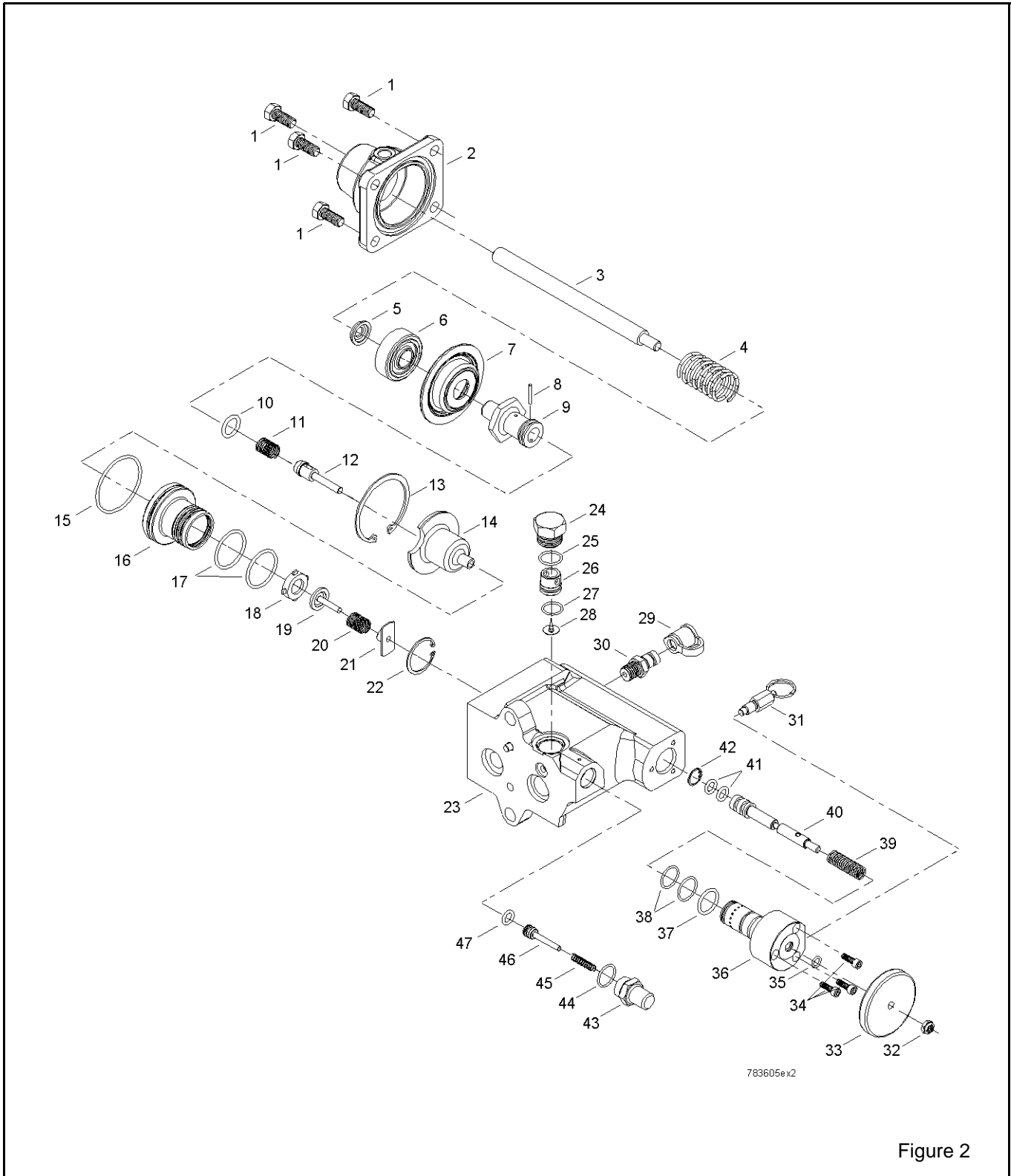


Figure 2





## NYAB SLOPE SHEET MOUNTED EMPTY/LOAD VALVE ASSEMBLY - 40% Assembly -

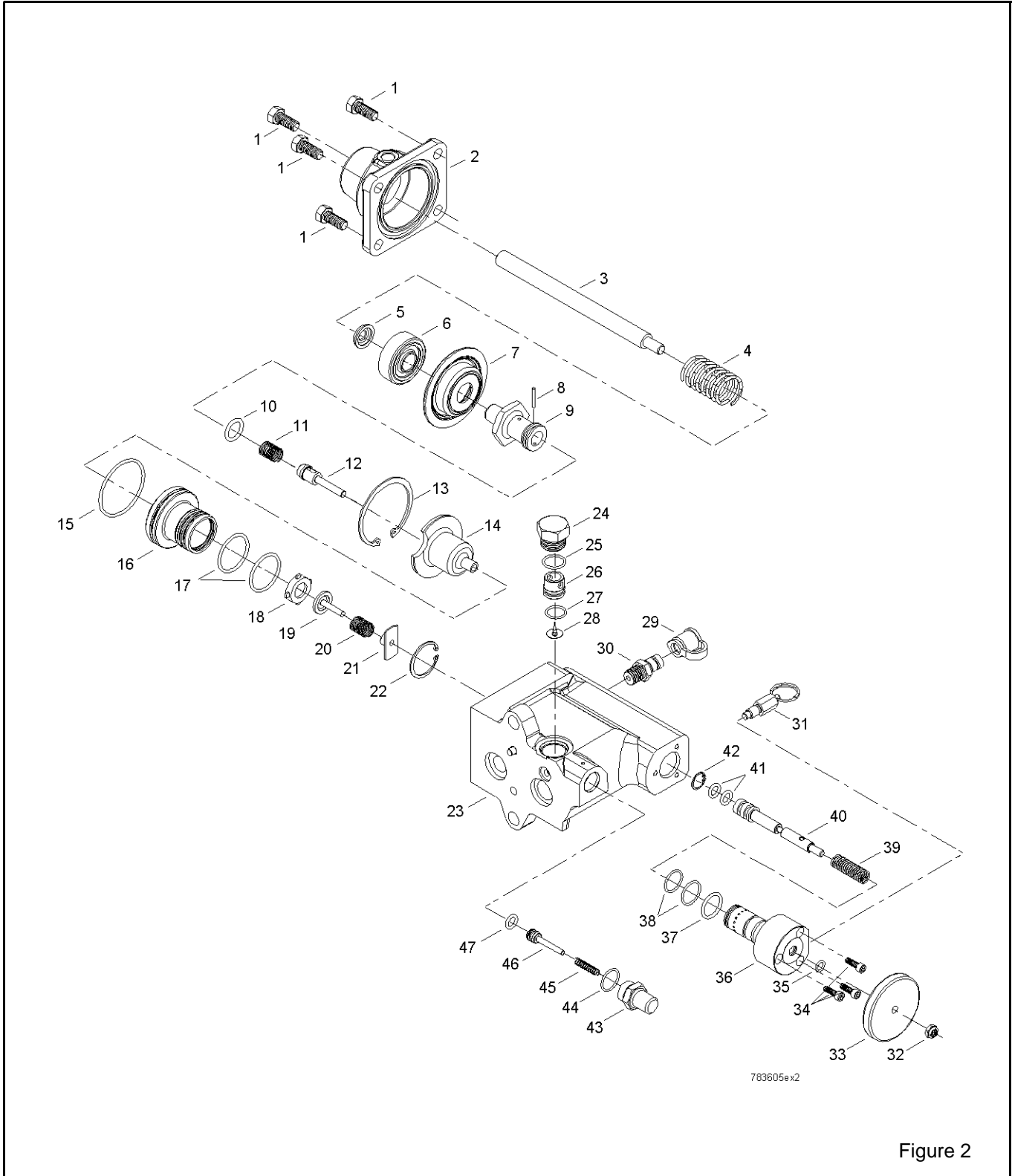
FIG. & INDEX	REPL. PLAN	PART NO.	REF. NO.	NO. REQ'D.	DESCRIPTION
2-					
14	C	771509	771509	1	. GUIDE, Sleeve
15	A	771637	771637	1	. O-RING Buna 2-15/64" od x 2-1/32" id x 0.103" t
16	C	773844	773844	1	. PISTON, 40% Ratio
17	A	781695	781695	2	. O-RING Buna 1-1/2" od x 1-19/64" id x 0.103" t
18	A	779576	779576	1	. CHECK VALVE
19	C	771197	771197	1	. GUIDE PIN
20	B	771630	771630	1	. SPRING Stainless Steel 17/32" od x 0.0255" dia. x 1-1/2" high
21	C	770828	770828	1	. SPRING SEAT & STOP
22	B	770825	770825	1	. RETAINING RING Steel 1-29/64" od x 0.050" t
23	C	783603	783603	1	. BODY ASSEMBLY, Slope Sheet, 40%
24	C	760837	760837	1	. PLUG, 5/8" OD Tube Port (Includes item 2-25)
25	A	755570	HN-133	1	. O-RING Buna 15/16" od x 3/4" id x .097" t
26	C	771534	771534	1	. BODY, Check
27	A	738362	EV-5639	1	. O-RING Buna N 11/16" od x 9/16" id x .070" t

Replacement Plan:

- A = 100% Replacement at every scheduled overhaul.
- B = Replacement dependent upon condition of part.
- C = Replace if damaged during repair, maintenance or overhaul.



**NYAB SLOPE SHEET MOUNTED EMPTY/LOAD VALVE ASSEMBLY  
- 40% Assembly -**





## NYAB SLOPE SHEET MOUNTED EMPTY/LOAD VALVE ASSEMBLY - 40% Assembly -

FIG. & INDEX	REPL. PLAN	PART NO.	REF. NO.	NO. REQ'D.	DESCRIPTION
2-					
28	A	772345	772345	1	. UMBRELLA VALVE
29	C	776207	776207	1	. DUST CAP
30	C	776156	776156	1	. NIPPLE, Quick Disconnect
31	A	783803	783803	1	. RELEASE PLUNGER ASSEMBLY
32	A	772583	772583	1	. NUT, Elastic Stop Stainless Steel 1/4-20 UNJC-3B x 0.203" t
33	C	784343	784343	1	. HANDLE
34	C	784366	784366	3	. SCREW, Socket Head Cap Steel, Zinc Pltd. #10-24 UNC-3A x 5/8" long
35	A	743504	RA-19	1	. O-RING Buna 1/2" od x 3/8" id x 0.070" t
36	C	783486	783486	1	. CARTRIDGE, By-Pass Valve
37	A	747474	HN-264	1	. O-RING Buna 15/16" od x 13/16" id x 0.070" t
38	A	755568	755568	2	. O-RING Buna 3/4" od x 47/64" id x 0.070" t
39	B	783623	783623	1	. SPRING Music Wire, Zinc Pltd. 31/64" od x 0.051" dia. x 3" high
40	C	783485	783485	1	. PISTON, Bypass Valve

**Replacement Plan:**

- A = 100% Replacement at every scheduled overhaul.
- B = Replacement dependent upon condition of part.
- C = Replace if damaged during repair, maintenance or overhaul.



**NYAB SLOPE SHEET MOUNTED EMPTY/LOAD VALVE ASSEMBLY  
- 40% Assembly -**

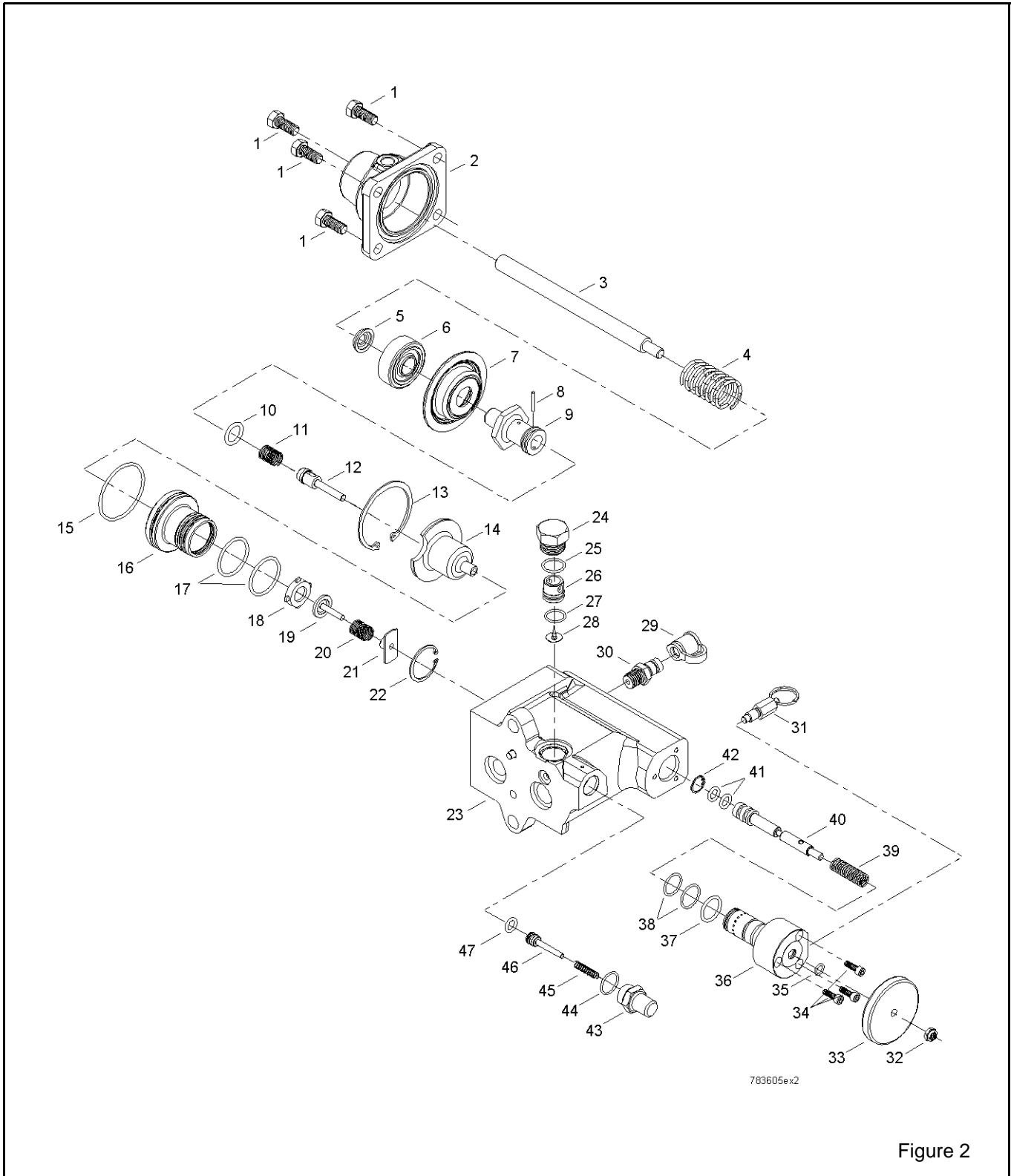


Figure 2



**NYAB SLOPE SHEET MOUNTED EMPTY/LOAD VALVE ASSEMBLY  
- 40% Assembly -**

FIG. & INDEX	REPL. PLAN	PART NO.	REF. NO.	NO. REQ'D.	DESCRIPTION
<b>2-</b>					
41	A	737776	EV-5044	2	. O-RING Buna 9/16" od x 23/64" id x 0.103" t
42	A	756332	EV-4849	1	. RETAINING RING, Internal Steel 5/8"
43	C	771071	771071	1	. VISOR, Cap
44	A	756728	HN-132	1	. O-RING Buna N 13/16" od x 5/8" id x 0.090" t
45	B	771112	771112	1	. SPRING Stainless Steel 1/4" od x 0.020" dia. x 1-1/4" high
46	C	771113	771113	1	. PISTON, Indicator
47	A	783649	783649	1	. O-RING NBR 50 Durometer 7/16" od x 5/16" id x 0.070" t
		784646	784646		KIT, Repair, Slope Sheet, 40% (Use for NYAB Slope Sheet Mounted Empty/Load Valve Assembly 783605) (Includes one each of items 1-3, 1-5, 1-8, 2-7, 2-10, 2-15, 2-18, 2-25, 2-27, 2-28, 2-31, 2-32, 2-35, 2-37, 2-44, 2-42, 2-47; two each of items 1-4, 2-17, 2-38, 2-41; and four of item 1-7)
		784655	784655		KIT, Repair, Slope Sheet, 40%, FDA (Use for NYAB Slope Sheet Mounted Empty/Load Valve Assembly 783607) (Includes one each of items 1-3, 1-5, 1-9, 2-7, 2-10, 2-15, 2-18, 2-25, 2-27, 2-28, 2-31, 2-32, 2-35, 2-37, 2-42, 2-44, 2-47; two each of items 1-4, 2-17, 2-38, 2-41; and four of item 1-7)

Replacement Plan:

- A = 100% Replacement at every scheduled overhaul.
- B = Replacement dependent upon condition of part.
- C = Replace if damaged during repair, maintenance or overhaul.



## NYAB SLOPE SHEET MOUNTED EMPTY/LOAD VALVE ASSEMBLY - Spring Identification -

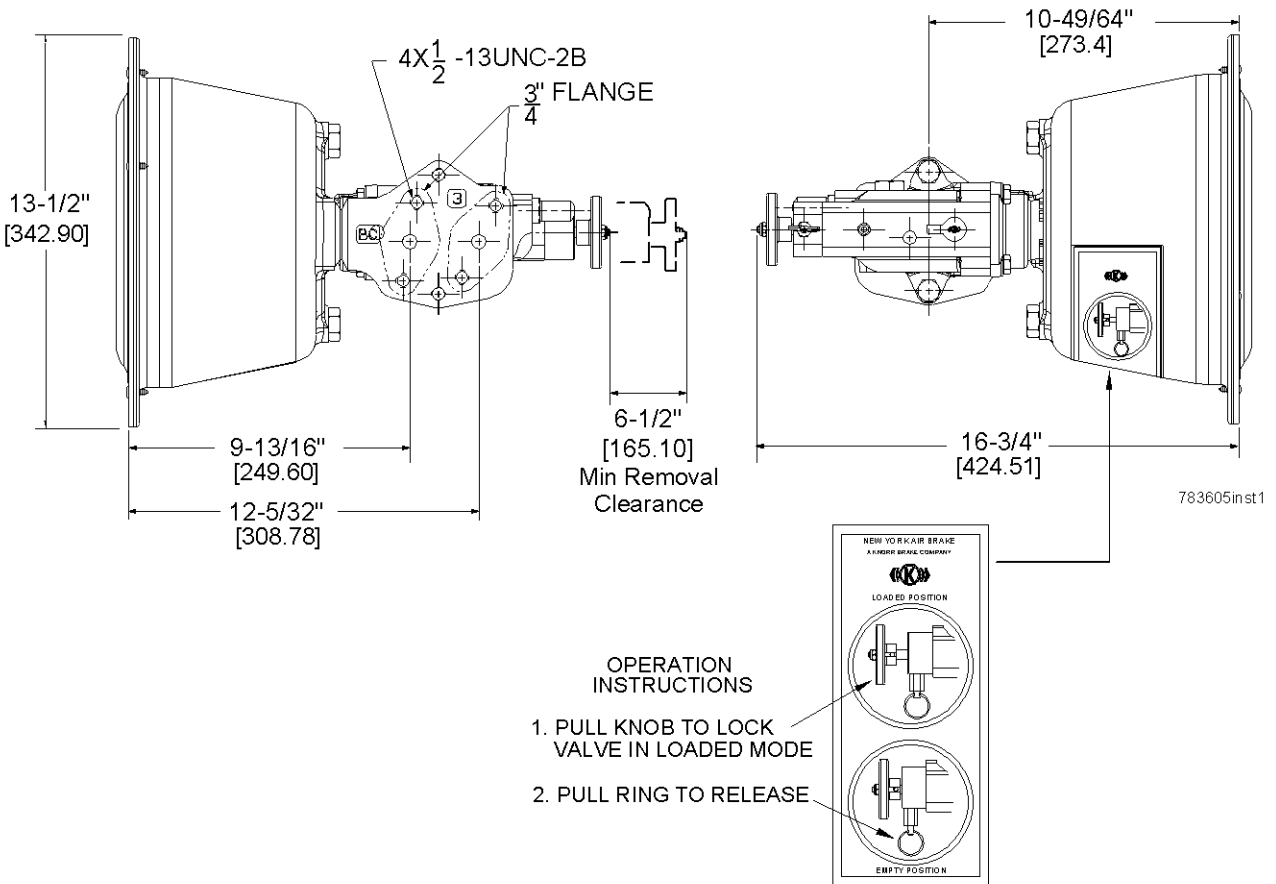
This tabulation is intended for identification only and should not be used for any other purpose. It does not represent a specification for the springs mentioned. It is based on calculated figures and the actual spring will vary somewhat, due to small differences in wire diameter, coil diameter, number of turns, etc.

PART NO.	REF. NO.	APPROX. OUTSIDE DIA.	APPROX. DIA. WIRE	APPROX. FREE HEIGHT	APPROX. FREE TURNS	MATERIAL
752173	LP-16	1-5/32"	0.106"	3"	6-1/3	Music Wire
771112	771112	23/64"	0.020"	1-1/4"	8-1/2	Stainless Steel
771629	771629	35/64"	0.029"	1-5/16"	5-1/2	Stainless Steel
771630	771630	17/32"	0.0255"	1-1/2"	8	Stainless Steel
783623	783623	31/64"	0.051"	3"	14-1/2	Music Wire



## NYAB SLOPE SHEET MOUNTED EMPTY/LOAD VALVE ASSEMBLY - Installation Data -

APPROXIMATE  
NET WEIGHT  
28-3/4 Lbs.





**NEW YORK AIR BRAKE**