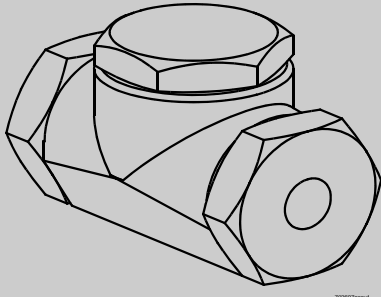


PC-702697

Rev. D (11/18/11) -en

# Parts Catalog

3/8" Rubber Seated Check Valve



**NEW YORK AIR BRAKE**





**Contact address**

New York Air Brake Corporation  
748 Starbuck Avenue  
Watertown, NY 13601

USA  
Phone: +1 315 786 5200  
Fax: +1 315 786 5676  
www.nyab.com

**Technical Changes**

NYAB reserves the right to change the unit or this document at any time without giving special notice.

	<b>CAUTION</b>	When repairing this assembly, use only NYAB supplied parts. Use of commercially available parts may result in unsatisfactory performance of this assembly and the brake system it becomes a part of.
--	----------------	--

	<b>CAUTION</b>	The purpose of this catalog is to identify the detail parts that make up this complete assembly. To avoid damage to this assembly and/or personal injury, utilize the applicable maintenance publications before attempting to disassembly or assembly this device.
--	----------------	---

	<b>WARNING</b>	Whenever a part in this assembly is replaced, the assembly must pass the tests in the latest issue of the applicable New York Air Brake Corporation (NYAB) Test Specification. Additionally, a stationary vehicle test must be made to ensure that this device functions properly when installed in the total brake equipment arrangement. Consult your local NYAB representative to identify the applicable test specifications.
--	----------------	---

**Replacement Plan Category**

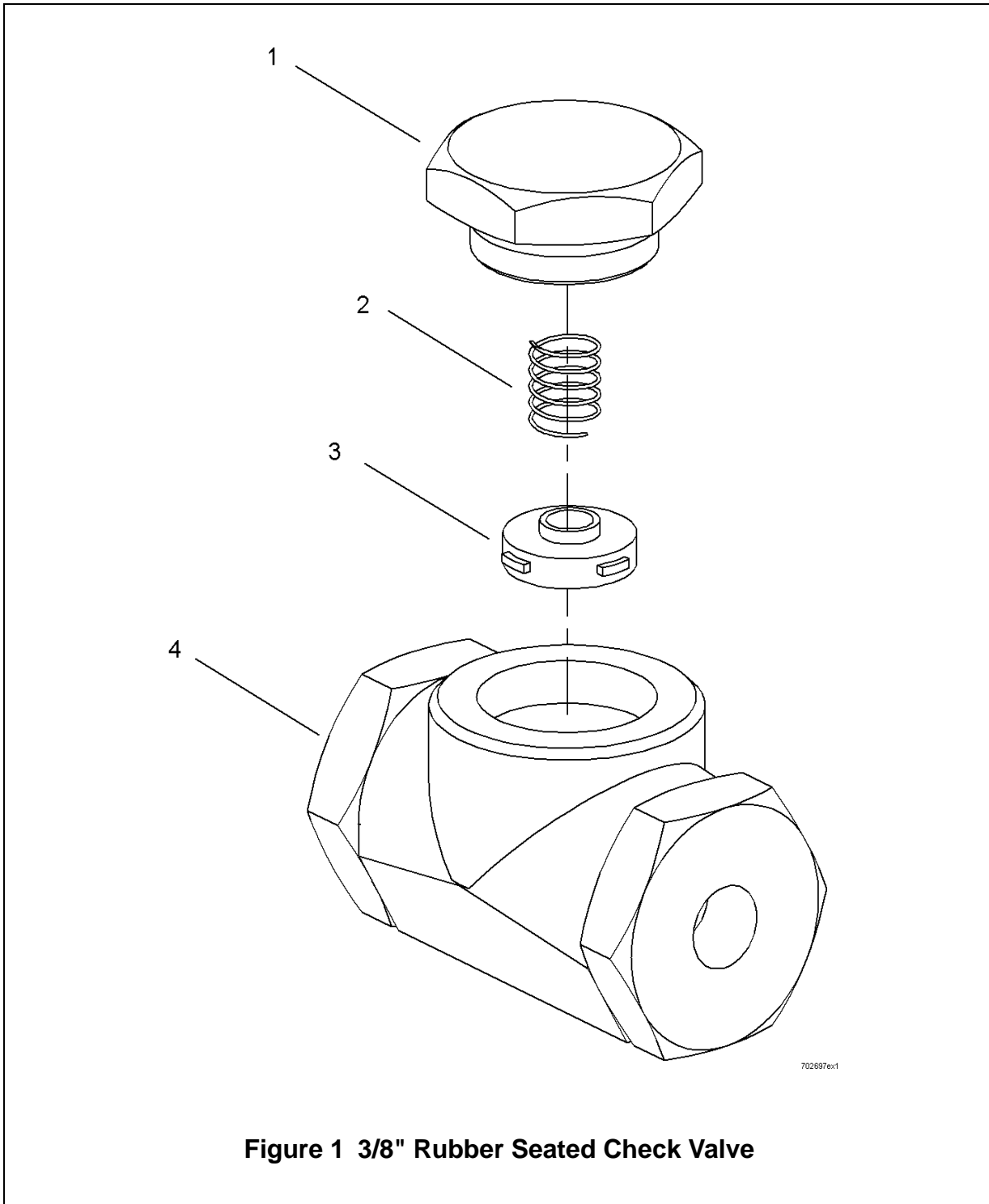
Definition of the letter code in the Replacement Plan column in the following pages:

Repl. Plan	Definition
A	100% Replacement at every scheduled overhaul.
B	Replacement dependent upon condition of part.
C	Replace if damaged during repair, maintenance or overhaul.

This document was originally written in English.



**3/8" Rubber Seated Check Valve**



**Figure 1 3/8" Rubber Seated Check Valve**



**3/8" Rubber Seated Check Valve**

FIG. & INDEX	REPL. PLAN	PART NO.	DRAW NO.	NO. REQ'D.	DESCRIPTION
1-		702697	N7313		<b>3/8" RUBBER SEATED CHECK VALVE</b>
1	C	735332	DC999	1	. CAP NUT
2	B	735331	DC993	1	. SPRING, Compression Phosphorous Bronze 33/64" od x 0.0253" dia. x 1-5/8" high
3	A	750646	CR1850	1	. CHECK VALVE
4	C	757332	DC1000	1	. BODY, Check Valve
		766989	766989		REPAIR KIT, Less Gasket (Includes one each of items 2 and 3)



### 3/8" RUBBER SEATED CHECK VALVE

#### Spring Identification

This tabulation is intended for identification only and should not be used for any other purpose. It does not represent a specification for the springs mentioned. It is based on calculated figures and the actual spring will vary somewhat, due to small differences in wire diameter, coil diameter, number of turns, etc.

PART NO.	NYAB NO.	APPROX. OUTSIDE DIA.	APPROX. DIA. WIRE	APPROX. FREE HEIGHT	APPROX. FREE TURNS	MATERIAL
735331	DC-993	33/64"	0.0253"	1-5/8"	5-1/2	Phosphorous Bronze



### 3/8" RUBBER SEATED CHECK VALVE Installation Data

APPROXIMATE  
NET WEIGHT  
2 Lbs.

