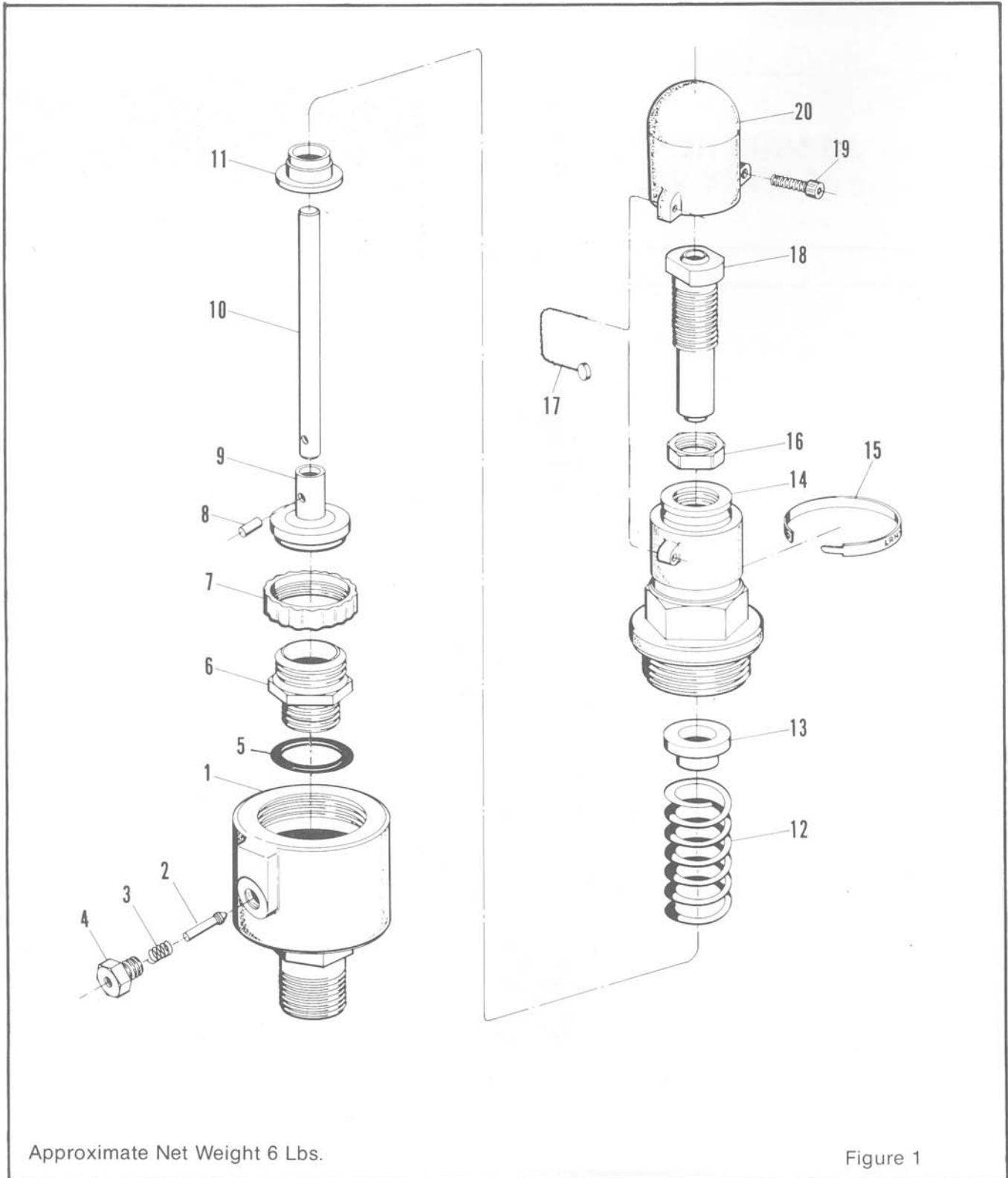


**J-1 MAIN RESERVOIR  
SAFETY VALVE**

**PARTS CATALOG**



### J-1 MAIN RESERVOIR SAFETY VALVE



**J-1 MAIN RESERVOIR SAFETY VALVE**

FIG. & PART INDEX	PART NO.	DRAW NO.	NO. REQ'D.	DESCRIPTION
	558296	N-8012		J-1 Main Reservoir Safety Valve (Set for 85 to 225 psi Setting) (Includes 1 thru 20)
1-1	559112	RV-463	1	.BODY
1-2	559100	RV-464	1	.PIN, Range Ring Locking
1-3	559098	RV-465	1	.SPRING, Lock
1-4	559099	RV-466	1	.LOCK, Range Ring
1-5	735967	HN-153	1	."O" RING, 1 <sup>3</sup> / <sub>16</sub> " O.D.
1-6	559111	RV-459	1	.SEAT, Valve
1-7	559110	RV-452	1	.RING, Range
1-8	559097	RV-455	1	.PIN, Valve
1-9	552109	RV-462	1	.VALVE
1-10	559107	RV-456	1	.STEM, Valve
1-11	559108	RV-468	1	.EQUALIZER, Spring
1-12	559105	RV-451	1	.SPRING, (85 to 225 psi) Adjusting
1-13	559104	RV-454	1	.WASHER, Upper Spring
1-14	559106	RV-460	1	.HOUSING, Upper
1-15	538272	RV-431	1	.BAND, Designation
1-16	559103	RV-494	1	.NUT, Adjusting Screw Locking
1-17 18	559101	RV-461	1	.SCREW, Adjusting
1-18 20	559102	RV-457	1	.CAP, Plain
1-19	567194	RV-475	1	.SCREW, #10-32 x 1 <sup>1</sup> / <sub>4</sub> " Hex Socket Cap
1-20 17	539160	EV-2600	1	.SEAL, With Wire

## SPRING IDENTIFICATION

PART NO.	DRAW NO.	APPROX. OUTSIDE DIA.	APPROX. DIA. WIRE	APPROX. FREE HEIGHT	APPROX. NUMBER TURNS	MATERIAL
559098	RV-465	1 $\frac{1}{32}$ "	.0475"	1 $\frac{1}{16}$ "	9	Temp. Steel
559105	RV-451	1 $\frac{1}{4}$ "	.218"	2 $\frac{3}{16}$ "	10	St. Steel

**NEW YORK AIR BRAKE**

A UNIT OF GENERAL SIGNAL

Starbuck Avenue, Watertown, NY 13601

