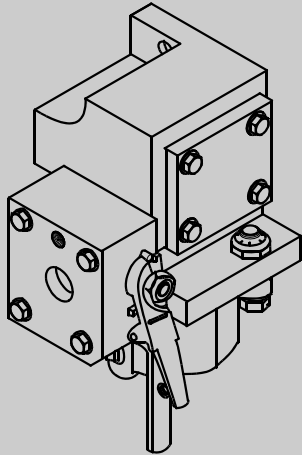


PC - 772124

Rev. D (1/29/15) -en

Parts Catalog

Dirt Collector and Cut-Out Cock w/Strainer



NEW YORK AIR BRAKE



Contact address

New York Air Brake
748 Starbuck Avenue
Watertown, NY 13601

USA
Phone: +1 315 786 5200
Fax: +1 315 786 5676
www.nyab.com

Technical Changes

NYAB reserves the right to change the unit or this document at any time without giving special notice.



CAUTION

When repairing this assembly, use only NYAB supplied parts. Use of commercially available parts may result in unsatisfactory performance of this assembly and the brake system it becomes a part of.



CAUTION

The purpose of this catalog is to identify the detail parts that make up this complete assembly. To avoid damage to this assembly and/or personal injury, utilize the applicable maintenance publications before attempting to disassembly or assembly this device.



WARNING

Whenever a part in this assembly is replaced, the assembly must pass the tests in the latest issue of the applicable New York Air Brake (NYAB) Test Specification. Additionally, a stationary vehicle test must be made to ensure that this device functions properly when installed in the total brake equipment arrangement. Consult your local NYAB representative to identify the applicable test specifications.

Replacement Plan Category

Definition of the letter code in the Replacement Plan column in the following pages:

Repl. Plan	Definition
A	100% Replacement at every scheduled overhaul.
B	Replacement dependent upon condition of part.
C	Replace if damaged during repair, maintenance or overhaul.

This document was originally written in English.



Dirt Collector and Cut-Out Cock w/Strainer

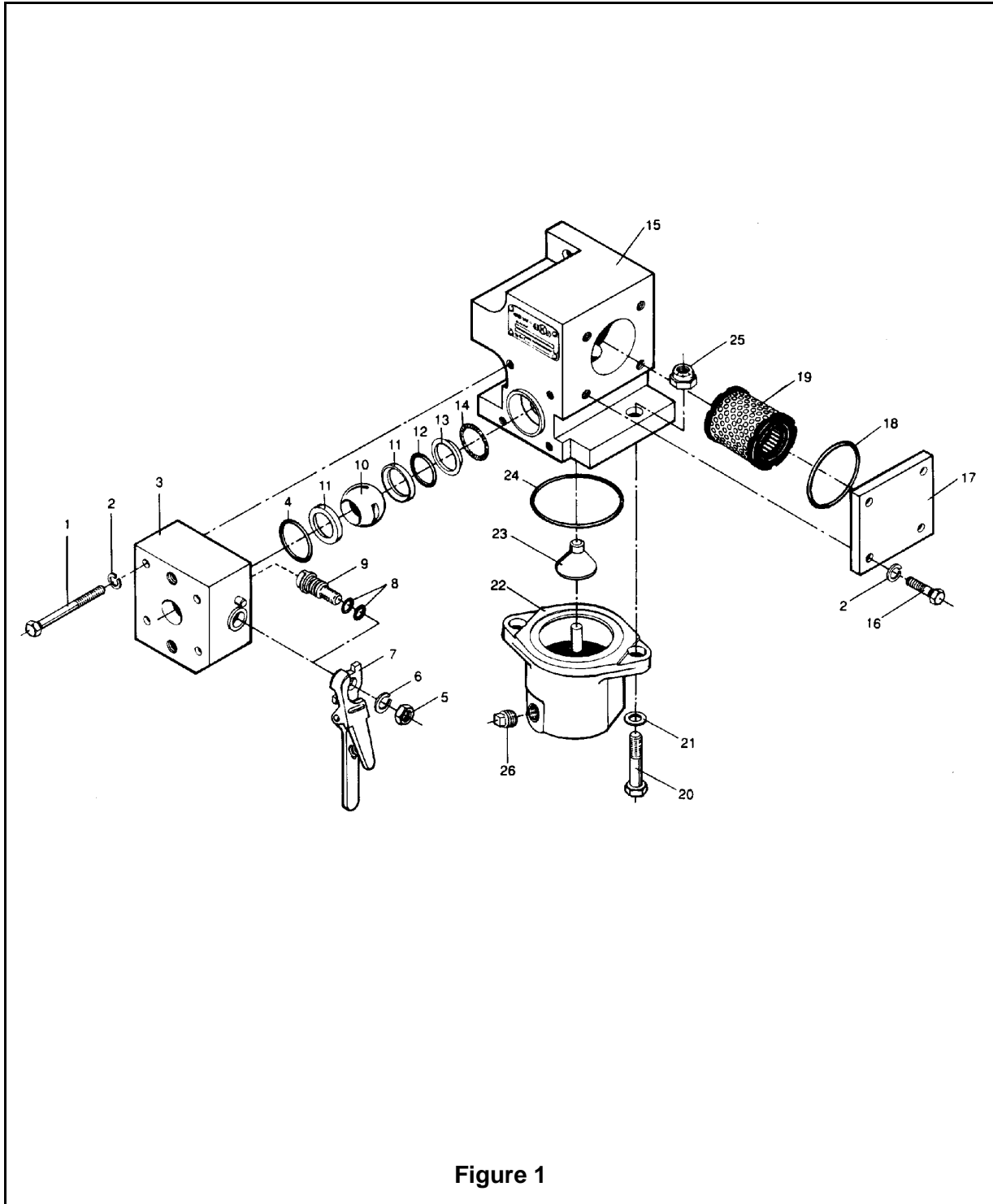


Figure 1



Dirt Collector and Cut-Out Cock w/Strainer

FIG. & INDEX	REPL. PLAN	PART NO.	DRAW NO.	NO. REQ'D.	DESCRIPTION
1-		772124	772124		DIRT COLLECTOR AND CUT-OUT COCK W/STRAINER
1	C	751028	MC-765	4	. SCREW, Hex Head Cap Gr. 5 Steel, Pltd. 3/8"-16 UNC-2A x 2-3/4" long
2	C	733364	CR-289	8	. LOCK WASHER Steel, Pltd. 11/16" od x 3/8" id x 0.094" t
3	C	772129	772129	1	. BODY ASSEMBLY, Valve
4	A	757797	HN-308	1	. O-RING Buna 2-1/8" od x 1-63/64" id x 0.070" t
5	C	757388	PR-292	1	. NUT, Hex Jam Steel, Pltd. 7/16"-20 UNC-2B x 0.250" t
6	C	757387	PR-291	1	. LOCK WASHER Steel, Pltd. 25/32" od x 29/64" id x 0.035" t
7	C	705174	N-9514	1	. HANDLE ASSEMBLY
8	A	746433	TA-2396	2	. O-RING Buna 3/4" od x 35/64" id x 0.103" t
9	C	768551	768551	1	. STEM
10	C	749888	SC-1435	1	. BALL
11	A	744845	SC-1367	2	. SEAT
12	A	753006	HN-204	1	. O-RING Buna 1-3/4" od x 1-5/8" id x 0.070" t



Dirt Collector and Cut-Out Cock w/Strainer

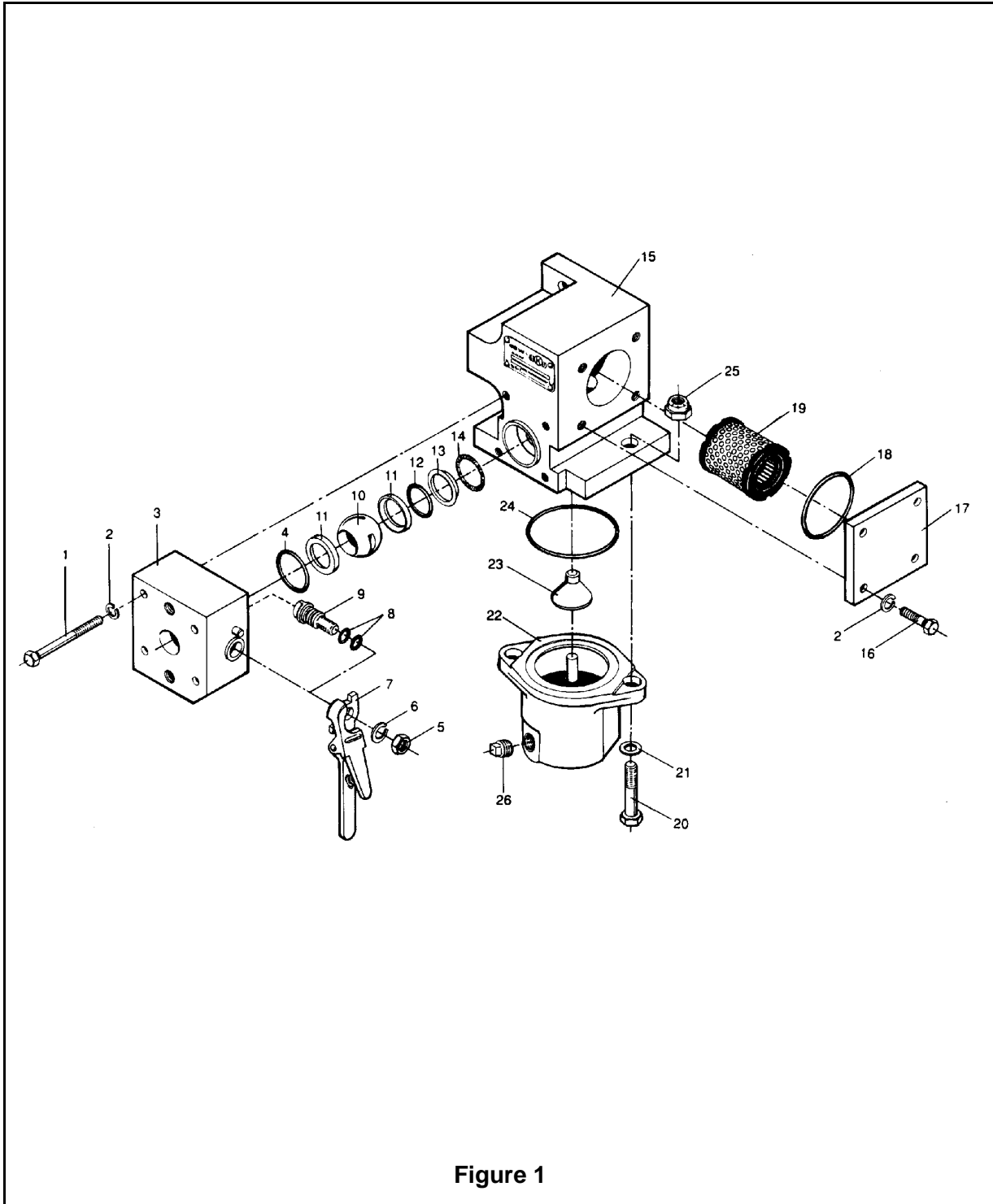


Figure 1



Dirt Collector and Cut-Out Cock w/Strainer

FIG. & INDEX	REPL. PLAN	PART NO.	DRAW NO.	NO. REQ'D.	DESCRIPTION
1-					
13	C	772128	772128	1	. DISC
14	A	758152	SC-1468	1	. SPRING, Ball Valve
15	C	772125	772125	1	. BODY ASSEMBLY, Dirt Collector
16	C	755367	MC-639	4	. SCREW, Hex Head Cap Gr. 5 Steel, Pltd. 3/8"-16 UNC-2A x 1" long
17	C	773134	773134	1	. COVER
18	A	735972	HN-121	1	. O-RING Buna 3-1/64" od x 2-47/64" id x 0.139" t
19	B	734743	CV-1147	1	. FILTER ELEMENT
20	C	758442	MC-1364	2	. SCREW, Hex Head Cap Gr. 5 Steel, Pltd. 1/2"-13 UNC-2A x 2-1/4" long
21	C	733331	CR-181	2	. WASHER Steel, Pltd. 7/8" od x 17/32" id x 0.062" t
22	C	735296	DC-1091	1	. CHAMBER W/STEM
23	C	782758	782758	1	. VALVE
24	A	757611	HN-304	1	. O-RING Buna 3-25/64" od x 3-7/64" id x 0.139" t
25	A	751812	MC-947	2	. NUT, Elastic Stop Steel, Pltd. 1/2"-13 UNC-3B x 0.593" t
26	C	743053	QT-32	1	. PLUG, 1/2" Pipe



Dirt Collector and Cut-Out Cock w/Strainer Installation Data

APPROXIMATE
NET WEIGHT
12-3/4 Lbs.

