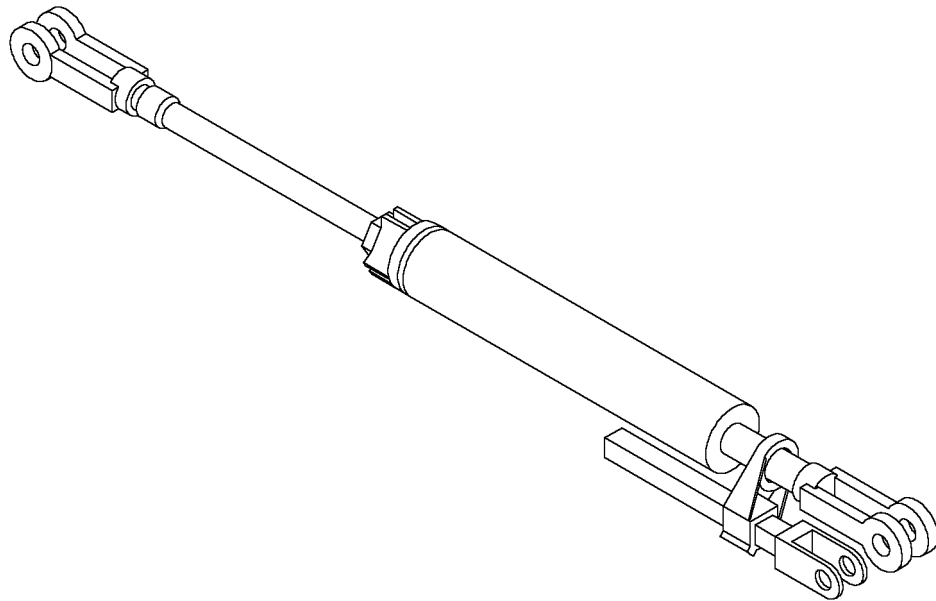




KRD 2A-500AR SLACK ADJUSTER

FOR FREIGHT BRAKE EQUIPMENT



FEATURES:

The KRD 2A-500AR is an automatic, double acting, AAR approved slack adjuster, designed for freight cars, that does not require servicing between overhaul intervals. Additional features include:

- corrosion protection on all parts;
- double sealing between sliding parts - wear resistant material prevents dirt and moisture from entering the unit;
- clutch design provides positive and secure operating against vibrations encountered during operation;
- automatically adjusts for brake shoe and wheel wear with each brake application;
- only two brake applications are needed to adjust for correct clearance after brake shoe replacement;
- clearance in the control link hole allows for 6° of axial alignment in all directions between the slack adjuster and control rod;
- take up capacity - 19-11/16" (500 mm).

NEW YORK AIR BRAKE CORPORATION

A KNORR BRAKE COMPANY

748 Starbuck Avenue, Watertown, New York 13601

Telephone: 315-786-5200 • Telex: 937304

FAX: 315-786-5676 (Administration)

315-786-5675 (Marketing)

KNORR BRAKE LIMITED

675 Development Drive

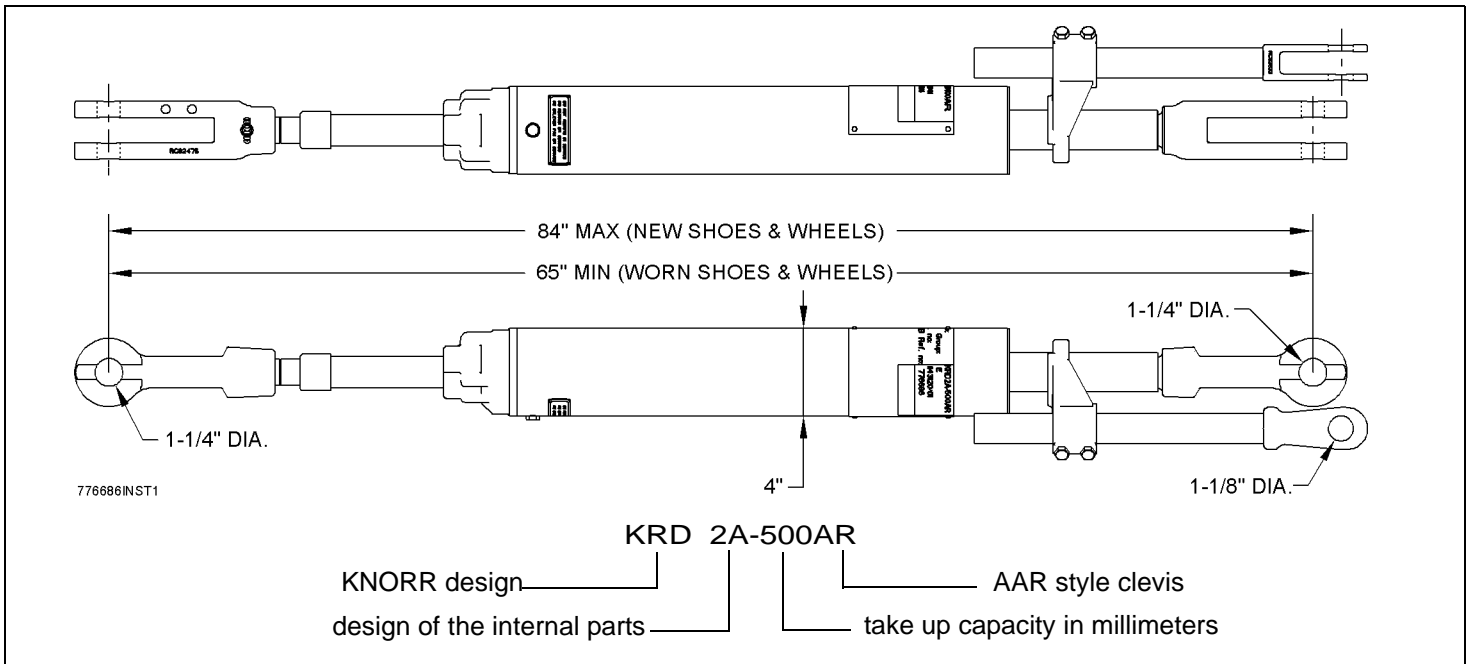
Kingston, Ontario, Canada K7M 4W6

Telephone: 613-389-4660

FAX: 613-389-8770 (Administration)

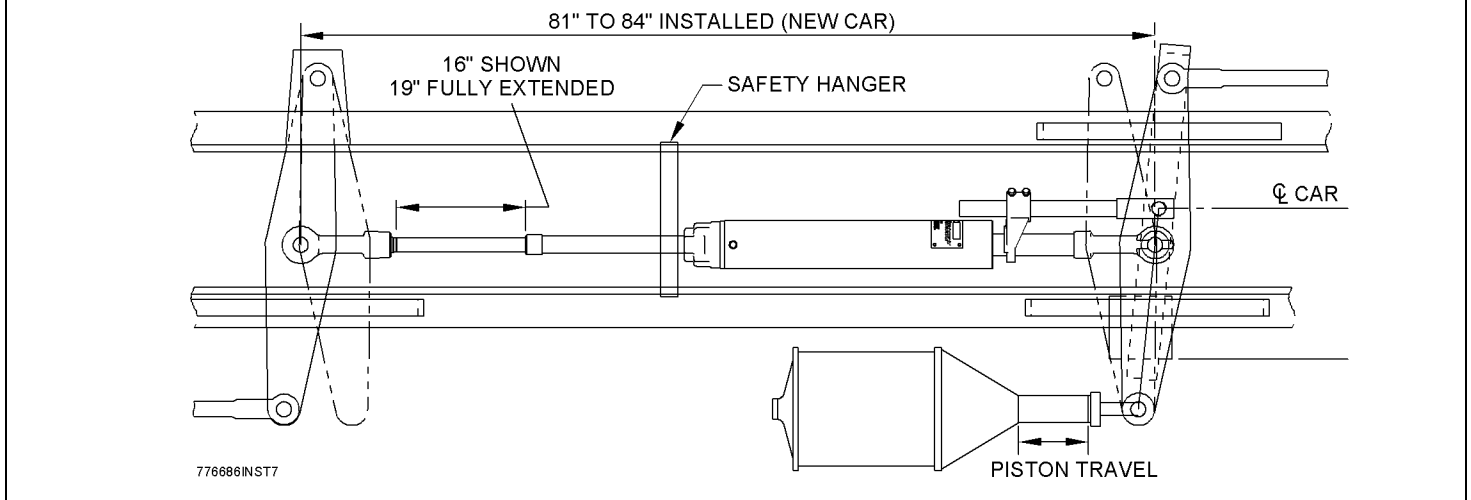
613-389-8770 (Sales)

KRD 2A-500AR



Center Rod Installation

(See AAR Spec. S-421)



Top Rod Installation

(See AAR Spec. S-422)

